

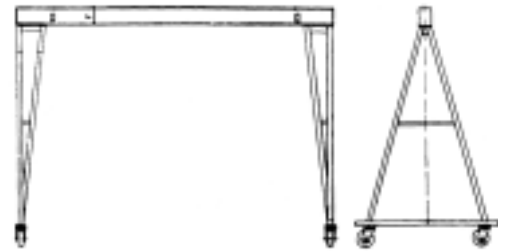


SPECIAL LIFTING

PORTABLE GANTRIES

A wide range of SLINGMASTER Gantries is available. They can be fixed or adjustable, manual or motor driven. SLINGMASTER Gantries save time and are the safe way to handle many different lifting problems in your plant.

BISON can design, build and certify, a gantry that will fit your specific requirements. Manual or powered hoists and trolleys are also available from stock.

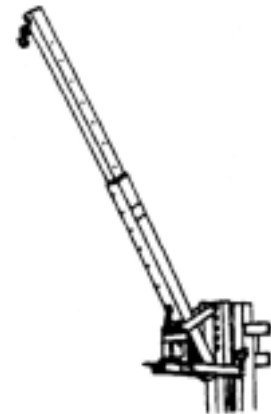


LIFT TRUCK EXTENDABLE PIVOTED CRANE BOOMS

Convert your fork lift truck to a mobile crane. Adjustable boom length and boom angle. Attaches easily to your present lift truck forks.

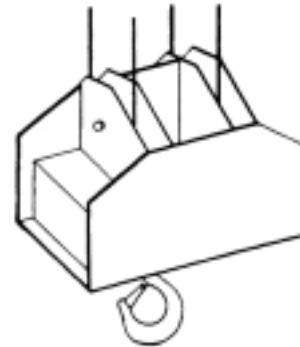
CAUTION :

As the boom is extended, the RATED CAPACITY IS REDUCED. Contact your SLINGMASTER representative for a chart showing the rated capacity at all lifting points for your size lift truck.



TRANSCRANE MOTORIZED CRANE HOOKS

Through the utilization of a motorized crane hook, the user benefits from reduced labor cost, ease and quickness of operation. Allows for remote, horizontal rotation of any load. Usually custom designed for a specific application.



PIPE GRABS

When these high-strength clamps are dropped over a pipe, they automatically clamp it. Moveable outriggers stabilize the pipe regardless of the clamp position. No blocking is required. The operator only has to guide the clamp into place. Pipes can be handled quickly and efficiently when properly balanced. Excellent for cast iron or steel pipe, as well as tubing and other cylindrical objects.



BEAM CLAMPS

Beam clamps provide an efficient method for handling wide flange beam sections and plate girders. When lifting, they grip the beam at three points. When properly balanced and safely guided, the beam can be handled even if the clamp is slightly off center.

