



LIFTING & SPREADER BEAMS



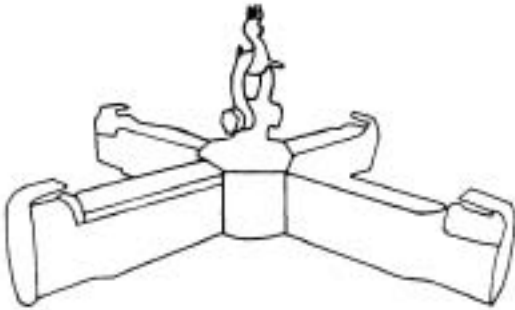
SPECIAL BEAMS FOR SPECIAL LIFTS

BISON can design, manufacture, test and certify a spreader Beam to meet your specific requirements.

“X” BEAMS

MODEL X

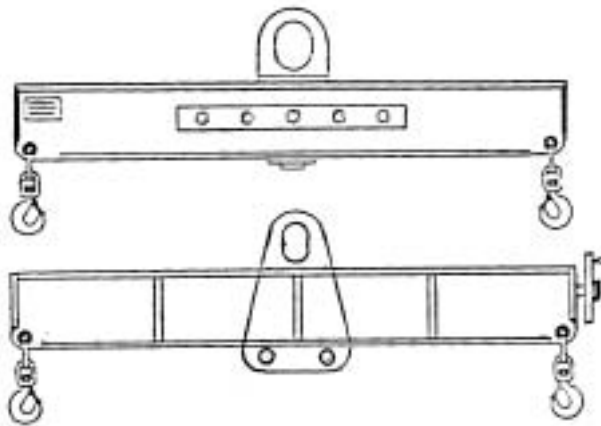
Whether loading or unloading, setting on a skid or suspended from a hoist, SLINGMASTER bulk bag handling X beams will greatly reduce your handling time. X beams are available to handle all bag sizes and weights.



ADJUSTABLE BAIL LIFTING BEAMS

MODEL AB

Ideal for adjusting the lifting bail to compensate for uneven load distribution. These adjustable lifting bail beams can be pre-adjusted in a fixed location manually by pulling pins, or infinitely adjusted through a hand wheel or chain wheel before the load is lifted. When necessary, they can be adjusted under load through a heavy duty gear box, which can be motorized or manually operated. Remote radio controlled motorized operation is also available.



FORK LIFT HOIST BEAM

MODEL FLB

Convert your lift truck into a mobile crane. Completely self-contained, the beam is equipped with a safety chain to secure it to the carriage. A positive locking, safety swivel hook is utilized for safety and ease of handling under load. Capacity of 4,000, 6,000 and 10,000 lbs..



Detailed specifications on request. For vertical lifting only. Do not use for pulling a load.