

MODEL SB

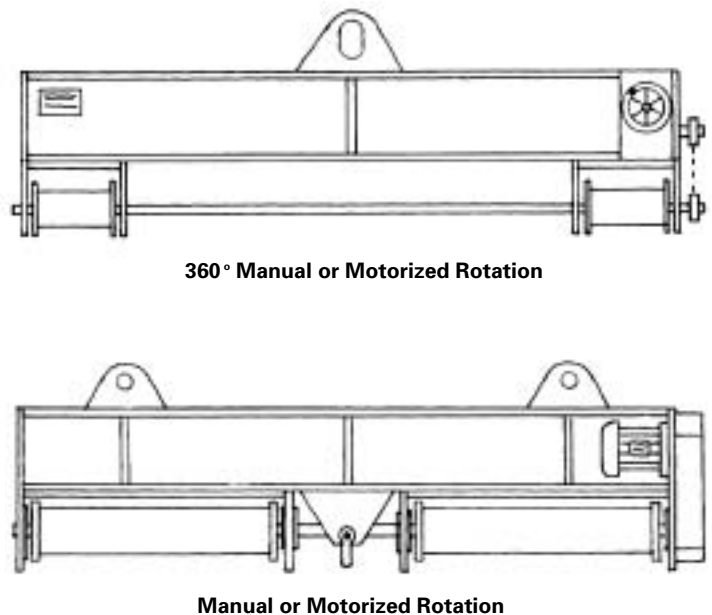
Specifically designed for specific applications. SLINGMASTER swivel beams can be suspended from two cranes or hoists of equal or unequal capacity allowing the lower beam to horizontally rotate a load. Rotation can be manual or motorized. A positive locking feature or motor brake allows the user flexibility in holding the load rotation at a desired position. Swivel beams can also be designed for use with a lift truck.

LOAD ROTATOR BEAMS

MODEL LR

Specifically designed for specific applications where a large, awkward or unusually shaped load needs to be vertically rotated. Rotation is accomplished through a heavy duty gear box which can be motorized or manually operated.

ALL SLINGMASTER products are individually proof tested to twice their rated capacity, and come with a Certificate of Test along with an Operating and Inspection Guide.



Custom design and fabrication is our specialty. Let us solve your particular lifting problem.